

SAAMI New Cartridge & Chamber

Maximum Average Pressure (MAP)* = 65,000 psi
 Crusher pressures not established.

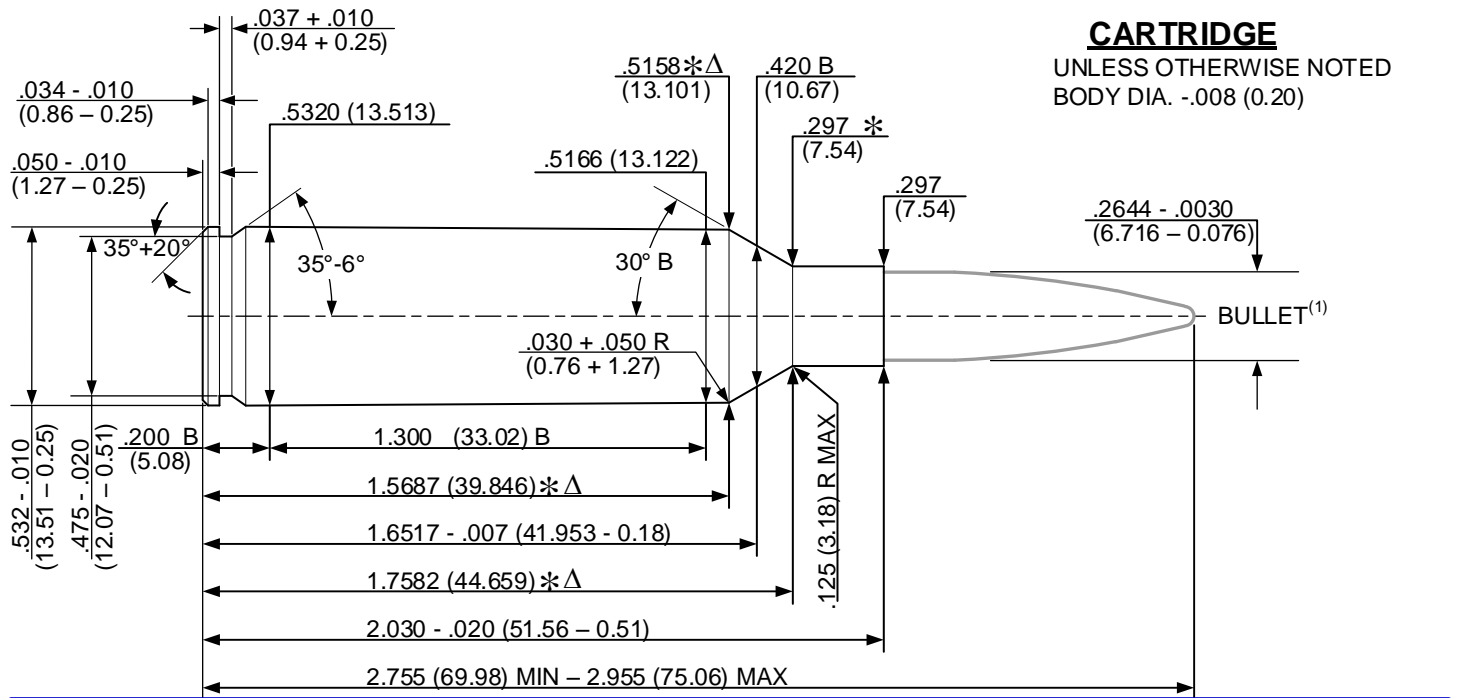
Instrumental Velocity: 147-gr @ 2,900 fps

* Refer to ANSI/SAAMI Z299.4 for pressure guideline interpretation description.

ISSUED: 06/13/2018

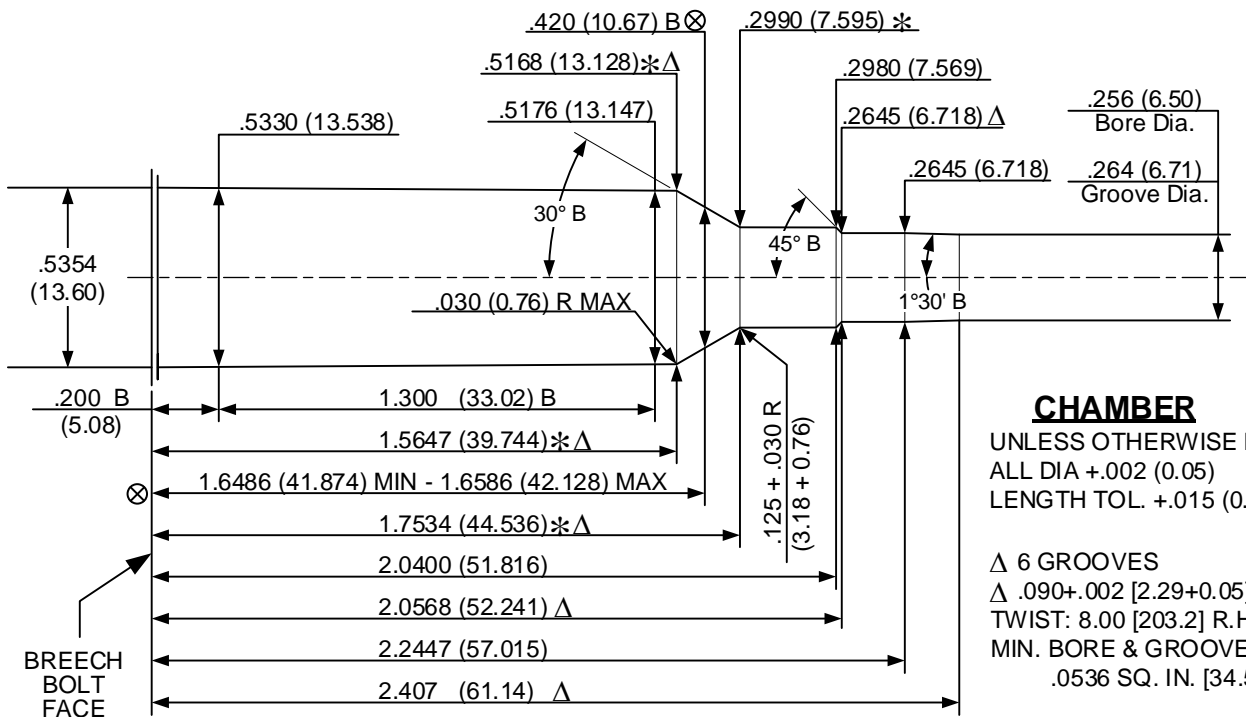
6.5 Precision Rifle Cartridge [6.5 PRC]

REVISED: - / - / - - -



CARTRIDGE

UNLESS OTHERWISE NOTED
 BODY DIA. -.008 (0.20)



CHAMBER

UNLESS OTHERWISE NOTED
 ALL DIA +.002 (0.05)
 LENGTH TOL. +.015 (0.38)

△ 6 GROOVES
 △ .090+.002 [2.29+0.05] WIDE
 TWIST: 8.00 [203.2] R.H. OPTIONAL
 MIN. BORE & GROOVE AREA:
 .0536 SQ. IN. [34.580 mm²]

DO NOT SCALE FROM DRAWING

NOTE:

- B = BASIC
- △ = REFERENCE DIMENSION
- ALL CALCULATIONS APPLY AT MAXIMUM MATERIAL CONDITION (MMC)
- (1) - BULLET PROFILE IS SHOWN FOR ILLUSTRATIVE PURPOSES ONLY
- (XX.XX) = MILLIMETERS
- * = DIMENSIONS ARE TO INTERSECTION OF LINES

⊗ = HEADSPACE DIMENSION