

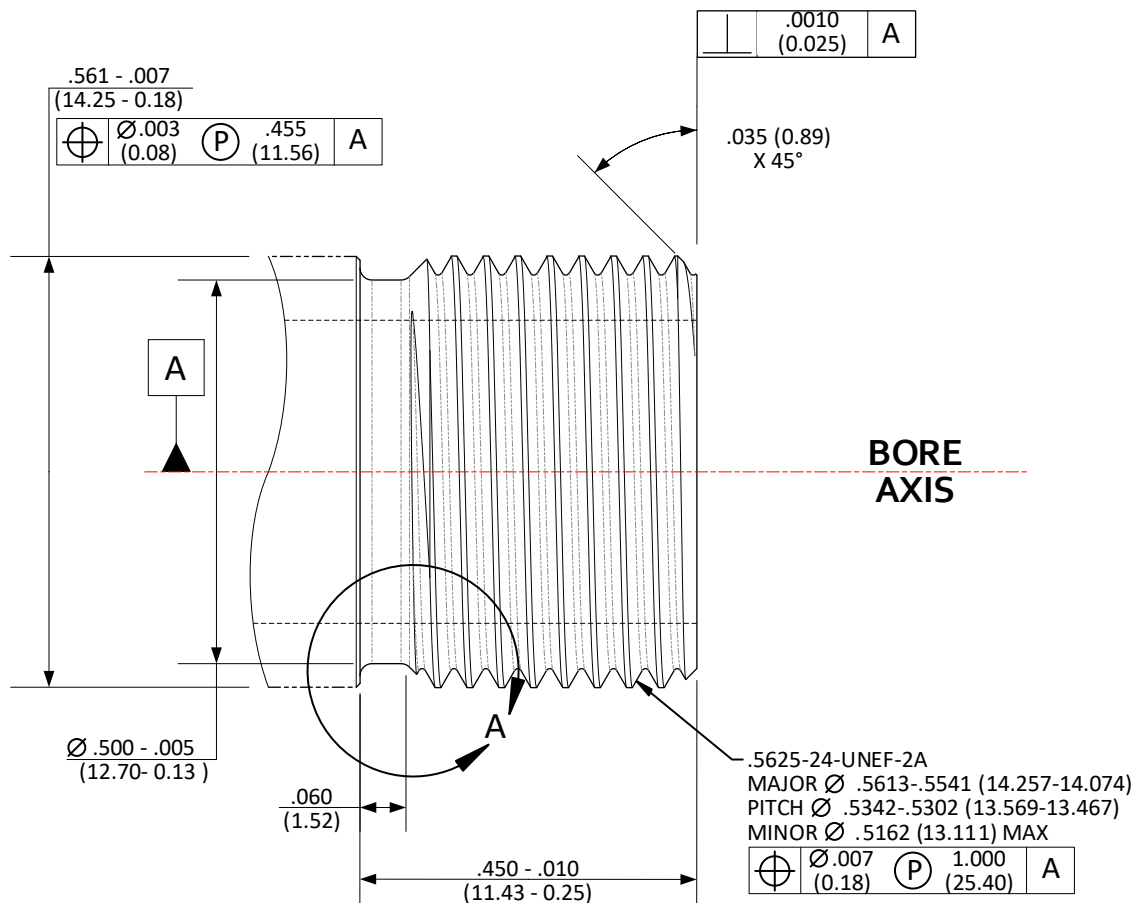
SECTION I – CHARACTERISTICS  
 SUPPRESSORS  
 SPORTING ARMS & AMMUNITION MANUFACTURERS' INSTITUTE

THREAD & SOCKET DRAWINGS: CFP&R: .5625-24-UNEF-2A  
 / .5625-24-UNEF-2B; >.355 / ≤.395 BORE DIAMETER

ISSUED 06/07/2022  
 Revised

**CFP&R: .5625-24-UNEF-2A; >.355 (9.02) / ≤.395 (10.03) BORE – MUZZLE INDEX**

SHEET 1 OF 4



**DO NOT SCALE FROM DRAWING**

**NOTES:**  
 DATUM "A" FEATURE IS DEFINED AS THE LAST **3.0000** INCHES **76.200**  
 OF THE BORE AT THE MUZZLE END OF THE BARREL.  
 (XX.XX) = MILLIMETERS  
 DRAWING PREPARED USING THE DIMENSIONING CONVENTIONS DEFINED  
 IN ASME Y14.5-2018.

UNLESS OTHERWISE SPECIFIED  
 DIMENSIONS ARE IN INCHES

.X	±.1 (3)	ANGLES	±0.5°
.XX	±.01 (0.3)	FILLET RADII	.005-.010 (0.13-0.25)
.XXX	±.005 (0.13)	BREAK EDGE	.005-.010 (0.13-0.25)
.XXXX	±.0005 (0.013)	SURFACE FINISH	▽ (▽)

SECTION I – CHARACTERISTICS  
 SUPPRESSORS  
 SPORTING ARMS & AMMUNITION MANUFACTURERS' INSTITUTE

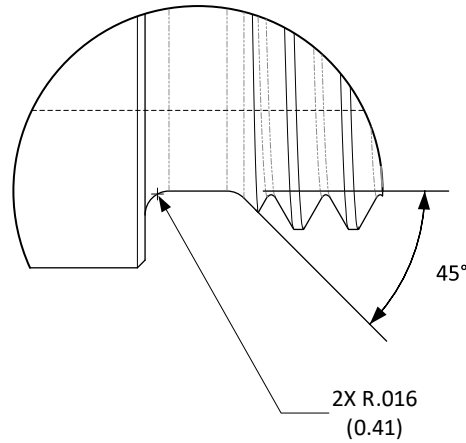
THREAD & SOCKET DRAWINGS: CFP&R: .5625-24-UNEF-2A  
 / .5625-24-UNEF-2B; >.355 / ≤.395 BORE DIAMETER

ISSUED 06/07/2022  
 Revised

**CFP&R: .5625-24-UNEF-2A; >.355 (9.02) / ≤.395 (10.03) BORE – MUZZLE INDEX (Cont'd)**

SHEET 2 OF 4

DETAIL A



**DO NOT SCALE FROM DRAWING**

**NOTES:**

(XX.XX) = MILLIMETERS  
 DRAWING PREPARED USING THE DIMENSIONING CONVENTIONS DEFINED  
 IN ASME Y14.5-2018.

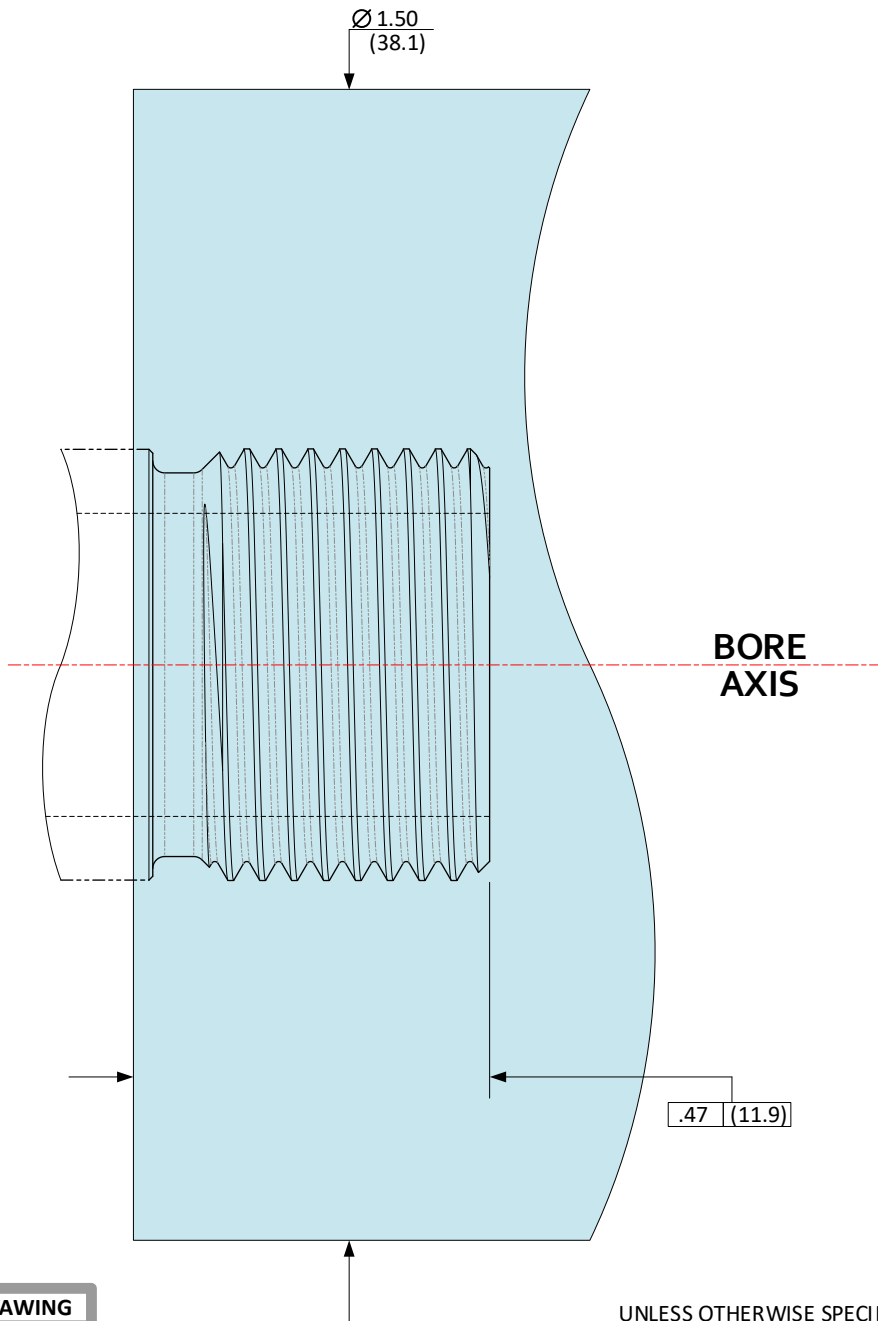
UNLESS OTHERWISE SPECIFIED  
 DIMENSIONS ARE IN INCHES

.X	±.1 (3)	ANGLES	±0.5°
.XX	±.01 (0.3)	FILLET RADII	.005-.010 (0.13-0.25)
.XXX	±.005 (0.13)	BREAK EDGE	.005-.010 (0.13-0.25)
.XXXX	±.0005 (0.013)	SURFACE FINISH	▽ (▽)

**CFP&R: .5625-24-UNEF-2A; >.355 (9.02) / ≤.395 (10.03) BORE – MUZZLE INDEX (Cont'd)**

**SHEET 3 OF 4**

AS REFERENCE, THE SHADED AREA REPRESENTS A ZONE INTENDED TO BE RESERVED FOR DEVICES ATTACHED TO THESE THREADS. CONSIDERATION OF INTRUSION INTO THIS VOLUME DURING THE ENTIRE FIRING CYCLE OF THE FIREARM SHOULD BE MADE.



**DO NOT SCALE FROM DRAWING**

**NOTES:**  
 (XX.XX) = MILLIMETERS  
 DRAWING PREPARED USING THE DIMENSIONING CONVENTIONS DEFINED  
 IN ASME Y14.5-2018.

UNLESS OTHERWISE SPECIFIED  
 DIMENSIONS ARE IN INCHES

.X	± .1 (3)	ANGLES	± 0.5°
.XX	± .01 (0.3)	FILLET RADII	.005-.010 (0.13-0.25)
.XXX	± .005 (0.13)	BREAK EDGE	.005-.010 (0.13-0.25)
.XXXX	± .0005 (0.013)	SURFACE FINISH	▽ (▽)

SECTION I – CHARACTERISTICS

SUPPRESSORS

SPORTING ARMS & AMMUNITION MANUFACTURERS' INSTITUTE

THREAD & SOCKET DRAWINGS: CFP&R: .5625-24-UNEF-2A  
/ .5625-24-UNEF-2B; >.355 / ≤.395 BORE DIAMETER

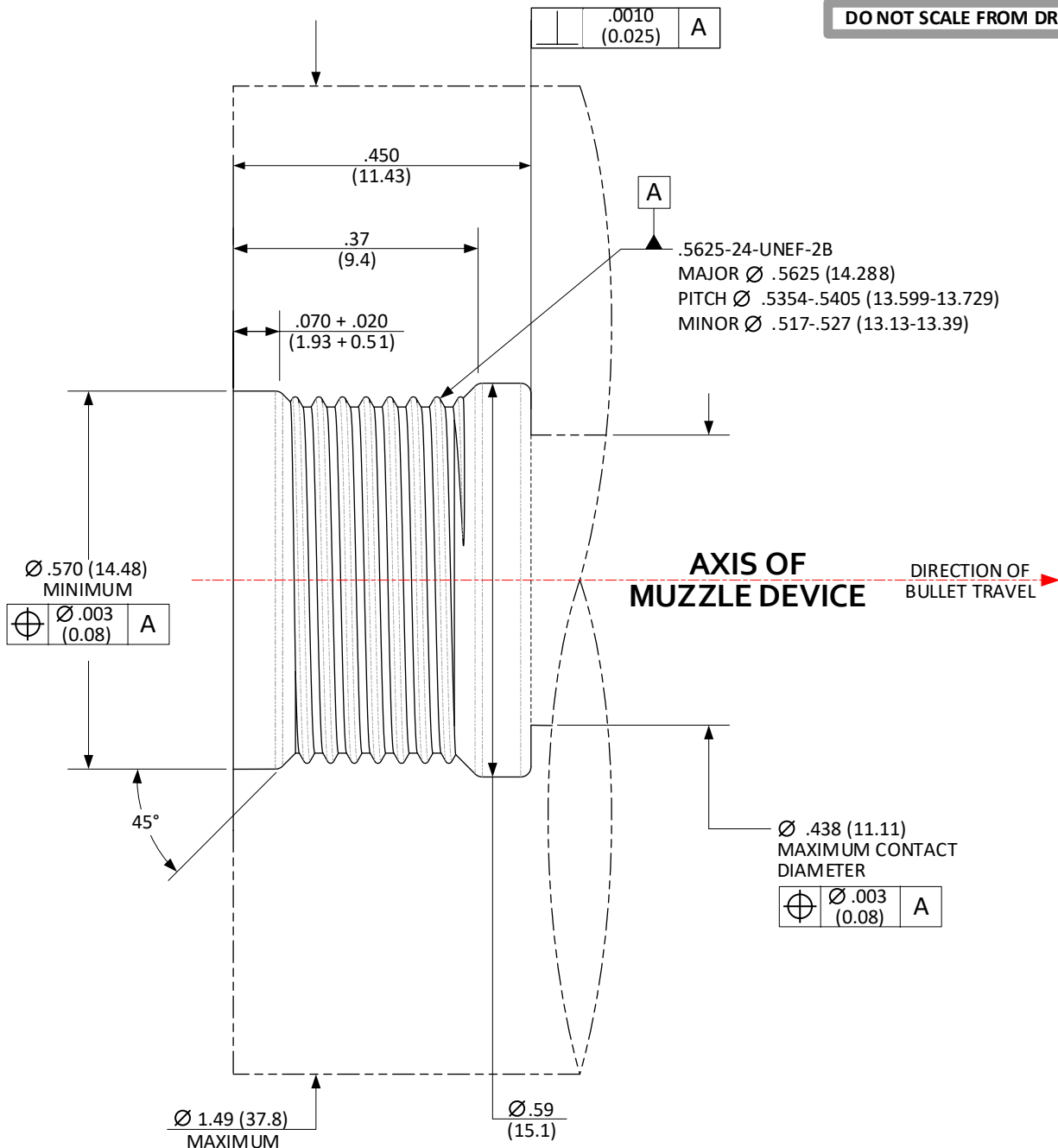
ISSUED 06/07/2022

Revised

**CFP&R: .5625-24-UNEF-2B; >.355 (9.02) / ≤.395 (10.03) BORE – MUZZLE INDEX (Cont'd)**

SHEET 4 OF 4

DO NOT SCALE FROM DRAWING



**NOTES:**

(XX.XX) = MILLIMETERS

DRAWING PREPARED USING THE DIMENSIONING CONVENTIONS DEFINED IN ASME Y14.5-2018.

UNLESS OTHERWISE SPECIFIED  
DIMENSIONS ARE IN INCHES

- .X ±.1 (3) ANGLES ±0.5°
- .XX ±.01 (0.3) FILLET RADII .005-.010 (0.13-0.25)
- .XXX ±.005 (0.13) BREAK EDGE .005-.010 (0.13-0.25)
- .XXXX ±.0005 (0.013) SURFACE FINISH  $\sqrt{\text{V}}$  ( $\sqrt{\text{V}}$ )