

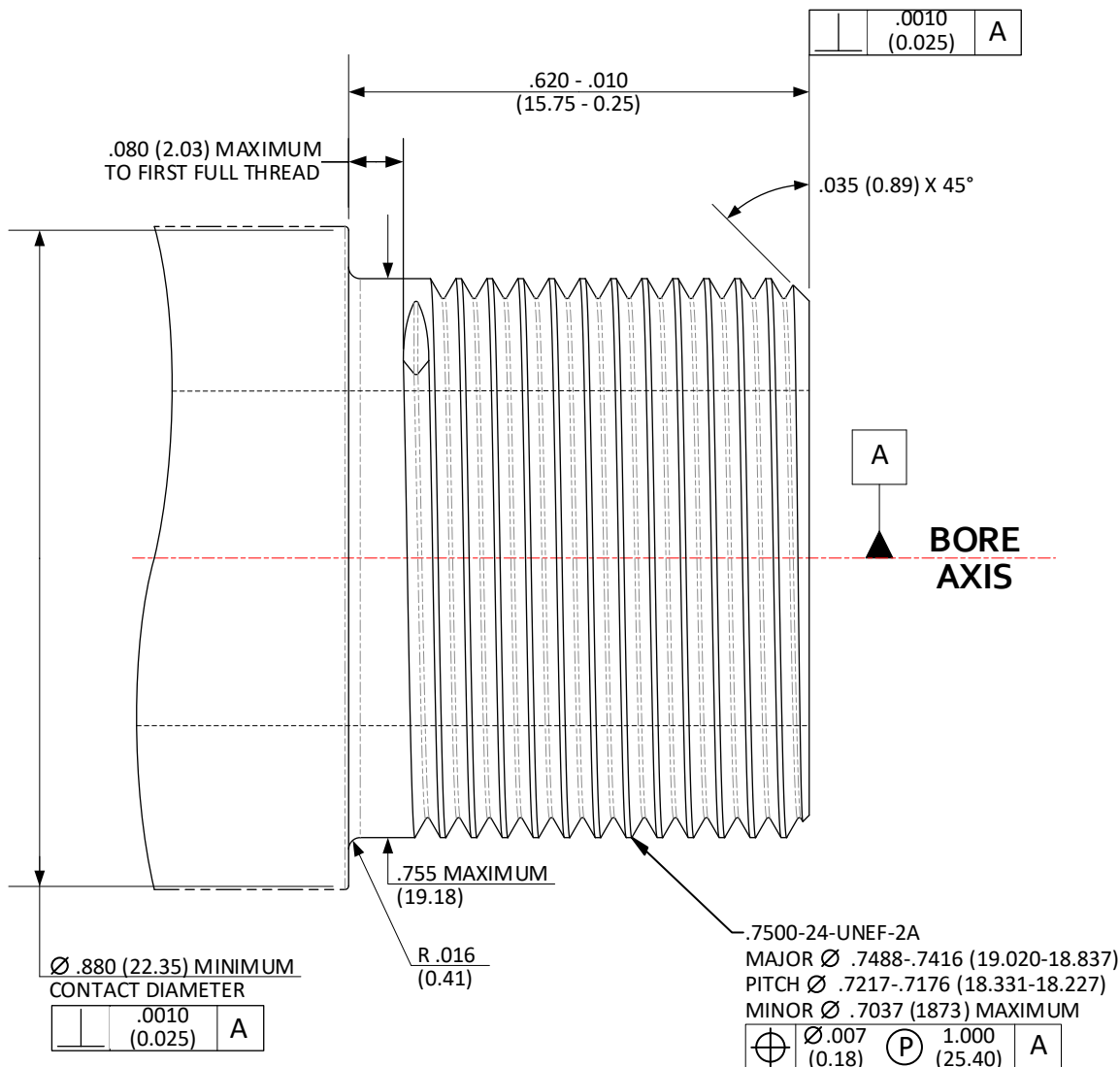
SECTION I – CHARACTERISTICS
 SUPPRESSORS
 SPORTING ARMS & AMMUNITION MANUFACTURERS' INSTITUTE

THREAD & SOCKET DRAWINGS: CFR: .75-24-UNS-2A / .75-24-UNS-2B; >.305 / ≤.450 BORE DIAMETER

ISSUED 06/07/2022
 Revised

CFR: .75-24-UNS-2A; >.305 (7.75) / ≤.450 (11.43) BORE – MUZZLE/SHOULDER INDEX

SHEET 1 OF 3



DO NOT SCALE FROM DRAWING

NOTES:
 DATUM "A" FEATURE IS DEFINED AS THE LAST 3.0000 INCHES 76.200 OF THE BORE AT THE MUZZLE END OF THE BARREL.
 (XX.XX) = MILLIMETERS
 DRAWING PREPARED USING THE DIMENSIONING CONVENTIONS DEFINED IN ASME Y14.5-2018.

UNLESS OTHERWISE SPECIFIED
 DIMENSIONS ARE IN INCHES

- .X $\pm .1$ (3) ANGLES $\pm 0.5^\circ$
- .XX $\pm .01$ (0.3) FILLET RADII .005-.010 (0.13-0.25)
- .XXX $\pm .005$ (0.13) BREAK EDGE .005-.010 (0.13-0.25)
- .XXXX $\pm .0005$ (0.013) SURFACE FINISH $\sqrt{\quad}$ ($\sqrt{\quad}$)

SECTION I – CHARACTERISTICS

SUPPRESSORS

SPORTING ARMS & AMMUNITION MANUFACTURERS' INSTITUTE

THREAD & SOCKET DRAWINGS: CFR: .75-24-UNS-2A / .75-24-UNS-2B; >.305 / ≤.450 BORE DIAMETER

ISSUED 06/07/2022

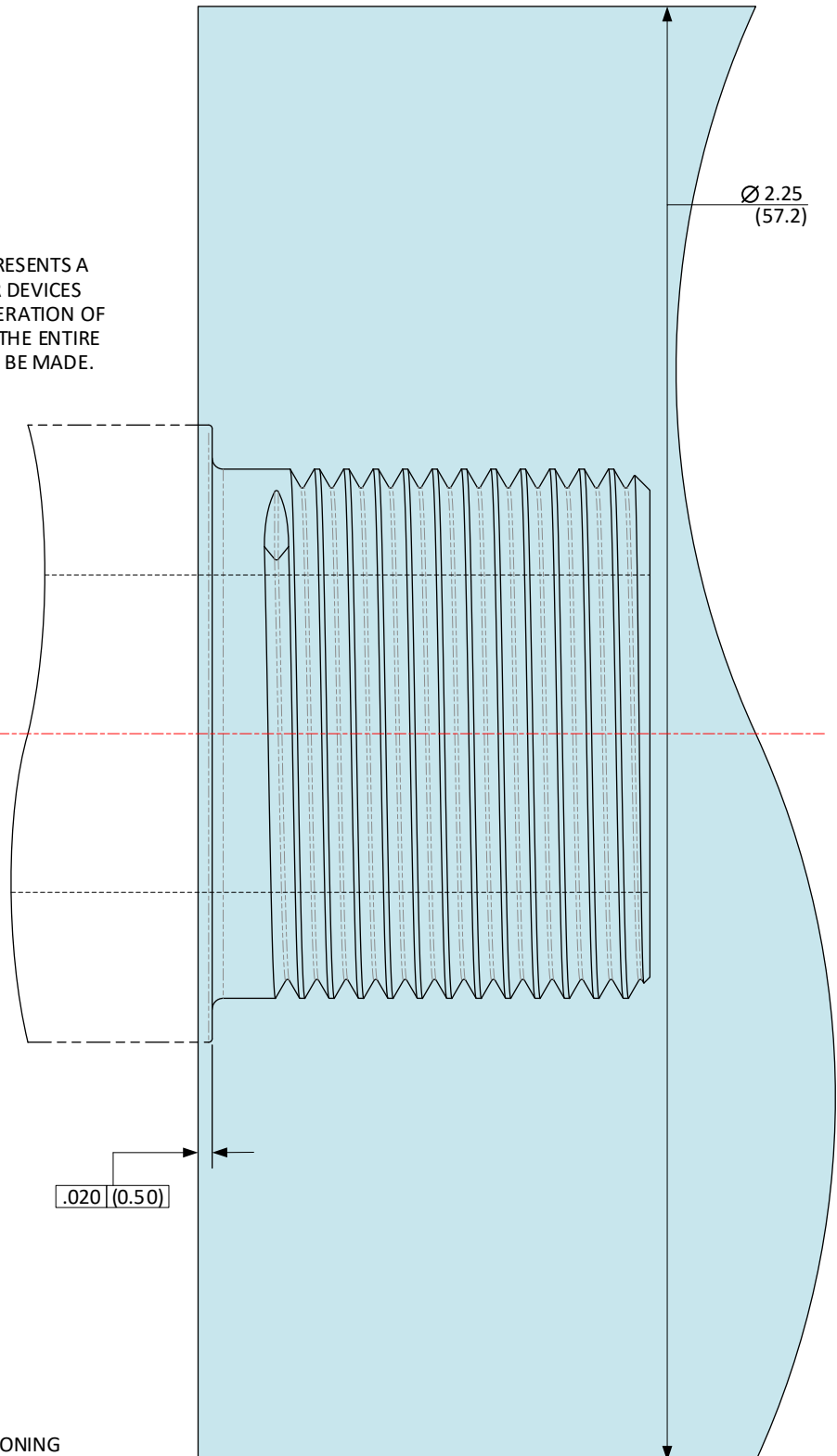
Revised

CFR: .75-24-UNS-2A; >.305 (7.75) / ≤.450 (11.43) BORE – MUZZLE/SHOULDER INDEX (Cont'd)

SHEET 2 OF 3

AS REFERENCE, THE SHADED AREA REPRESENTS A ZONE INTENDED TO BE RESERVED FOR DEVICES ATTACHED TO THESE THREADS. CONSIDERATION OF INTRUSION INTO THIS VOLUME DURING THE ENTIRE FIRING CYCLE OF THE FIREARM SHOULD BE MADE.

BORE
AXIS



DO NOT SCALE FROM DRAWING

UNLESS OTHERWISE SPECIFIED
DIMENSIONS ARE IN INCHES

- .X ± .1 (3)
- .XX ± .01 (0.3)
- .XXX ± .005 (0.13)
- .XXXX ± .0005 (0.013)
- ANGLES ± 0.5°
- FILLET RADII .005-.010 (0.13-0.25)
- BREAK EDGE .005-.010 (0.13-0.25)
- SURFACE FINISH $\sqrt{\text{ }}$ ($\sqrt{\text{ }}$)

NOTES:

(XX.XX) = MILLIMETERS

DRAWING PREPARED USING THE DIMENSIONING
CONVENTIONS DEFINED IN ASME Y14.5-2018.

SECTION I – CHARACTERISTICS

SUPPRESSORS

SPORTING ARMS & AMMUNITION MANUFACTURERS' INSTITUTE

THREAD & SOCKET DRAWINGS: CFR: .75-24-UNS-2A / .75-24-UNS-2B; >.305 / ≤.450 BORE DIAMETER

ISSUED 06/07/2022

Revised

CFR: .75-24-UNS-2B; >.305 (7.75) / ≤.450 (11.43) BORE – MUZZLE/SHOULDER INDEX (Cont'd)

SHEET 3 OF 3

DO NOT SCALE FROM DRAWING

