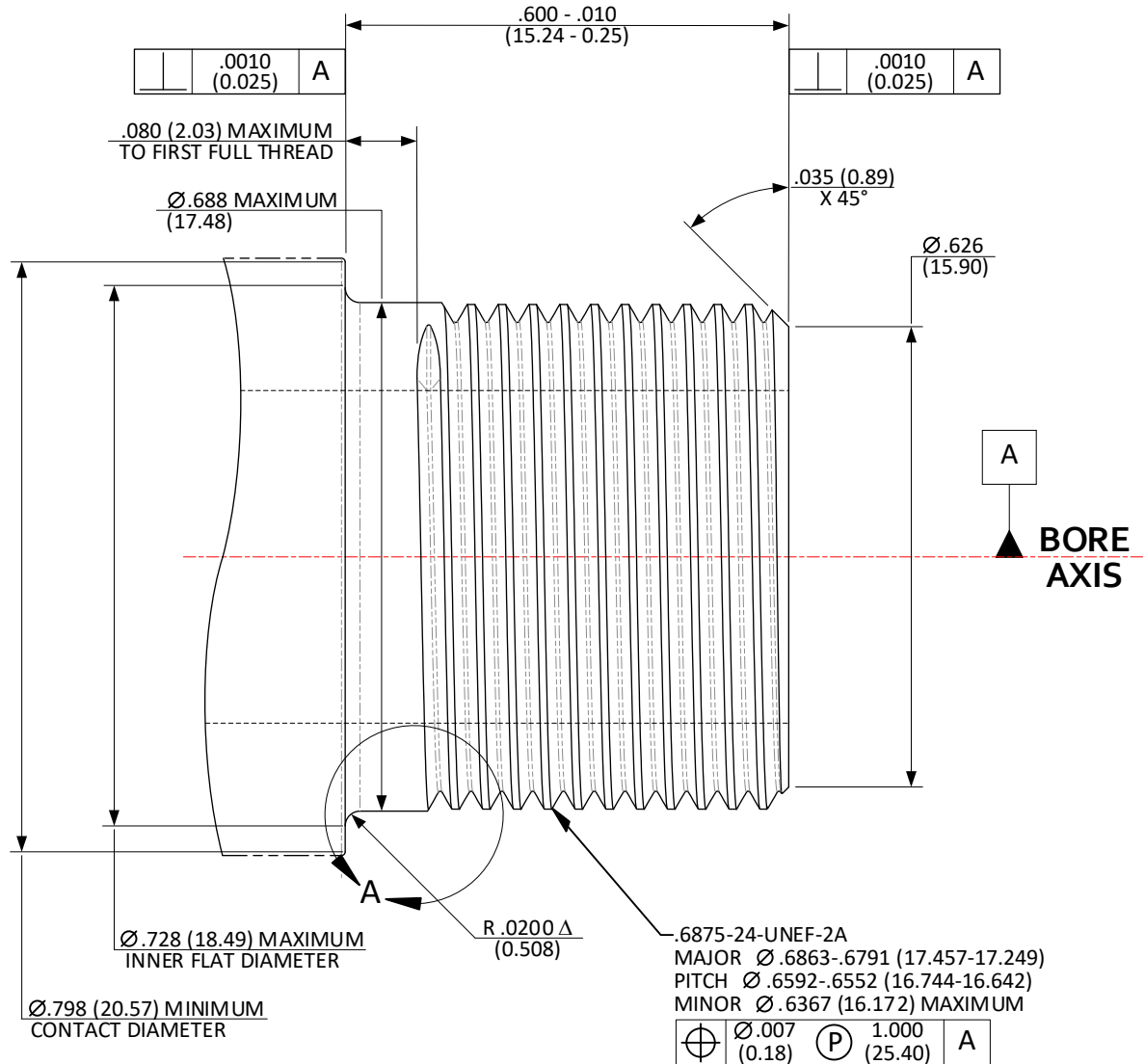


**CFR: .6875-24-UNEF-2A; >.305 (7.75) / ≤.450 (11.43) BORE – MUZZLE THREADS**

SHEET 1 OF 5



NOTE: IF THE MINIMUM SHOULDER CONTACT DIAMETER CANNOT BE ACHIEVED, MUZZLE INDEXING MUST BE USED.

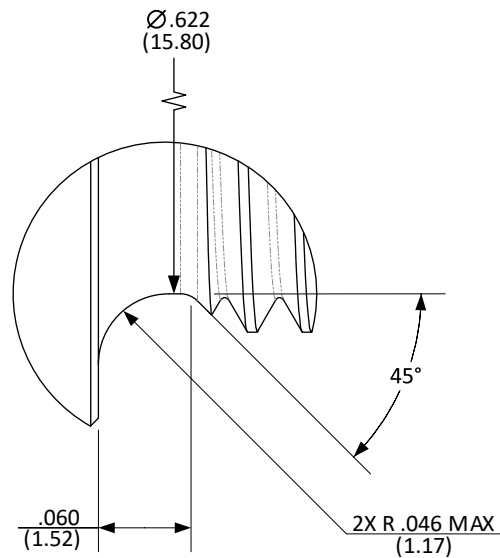
**DO NOT SCALE FROM DRAWING**

**NOTES:**  
 DATUM "A" FEATURE IS DEFINED AS THE LAST  $\boxed{3.0000}$  INCHES  $\boxed{(76.200)}$  OF THE BORE AT THE MUZZLE END OF THE BARREL.  
 $\Delta$  = REFERENCE DIMENSION (XX.XX) = MILLIMETERS  
 DRAWING PREPARED USING THE DIMENSIONING CONVENTIONS DEFINED IN ASME Y14.5-2018.

UNLESS OTHERWISE SPECIFIED DIMENSIONS ARE IN INCHES  
 .X ±.1 (3) ANGLES ±0.5°  
 .XX ±.01 (0.3) FILLET RADII .005-.010 (0.13-0.25)  
 .XXX ±.005 (0.13) BREAK EDGE .005-.010 (0.13-0.25)  
 .XXXX ±.0005 (0.013) SURFACE FINISH  $\sqrt{\text{R}}$  ( $\sqrt{\text{R}}$ )

**CFR: .6875-24-UNEF-2A; >.305 (7.75) / ≤.450 (11.43) BORE – MUZZLE THREAD RELIEF**

**DETAIL A**  
OPTIONAL THREAD RELIEF



**DO NOT SCALE FROM DRAWING**

**NOTES:**

(XX.XX) = MILLIMETERS

DRAWING PREPARED USING THE DIMENSIONING CONVENTIONS DEFINED IN ASME Y14.5-2018.

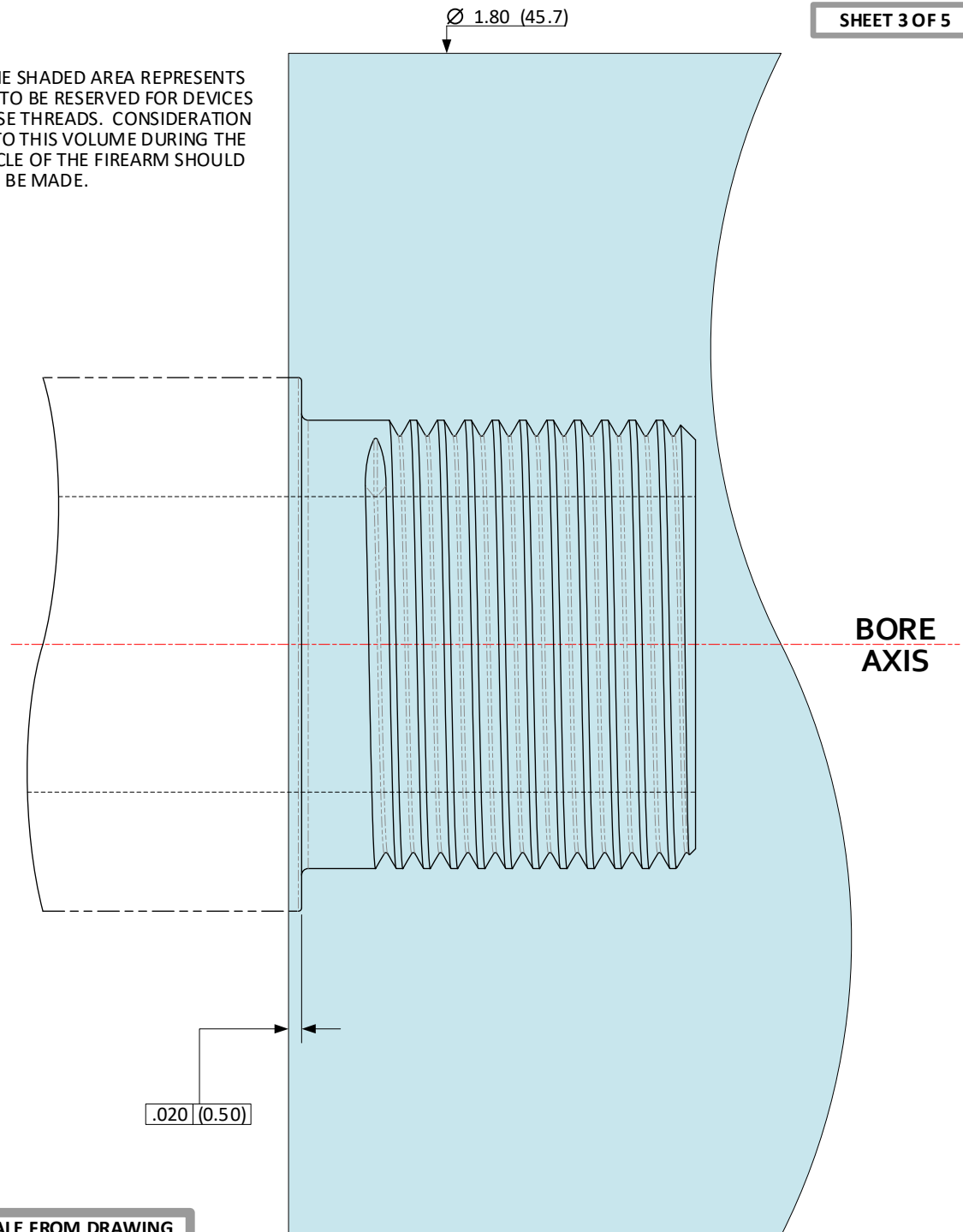
UNLESS OTHERWISE SPECIFIED DIMENSIONS ARE IN INCHES

.X	± .1 (3)	ANGLES	± 0.5°
.XX	± .01 (0.3)	FILLET RADII	.005-.010 (0.13-0.25)
.XXX	± .005 (0.13)	BREAK EDGE	.005-.010 (0.13-0.25)
.XXXX	± .0005 (0.013)	SURFACE FINISH	▽ (▽)

**CFR: .6875-24-UNEF-2A; >.305 (7.75) / ≤.450 (11.43) BORE – EXCLUSION ZONE**

SHEET 3 OF 5

AS REFERENCE, THE SHADED AREA REPRESENTS A ZONE INTENDED TO BE RESERVED FOR DEVICES ATTACHED TO THESE THREADS. CONSIDERATION OF INTRUSION INTO THIS VOLUME DURING THE ENTIRE FIRING CYCLE OF THE FIREARM SHOULD BE MADE.



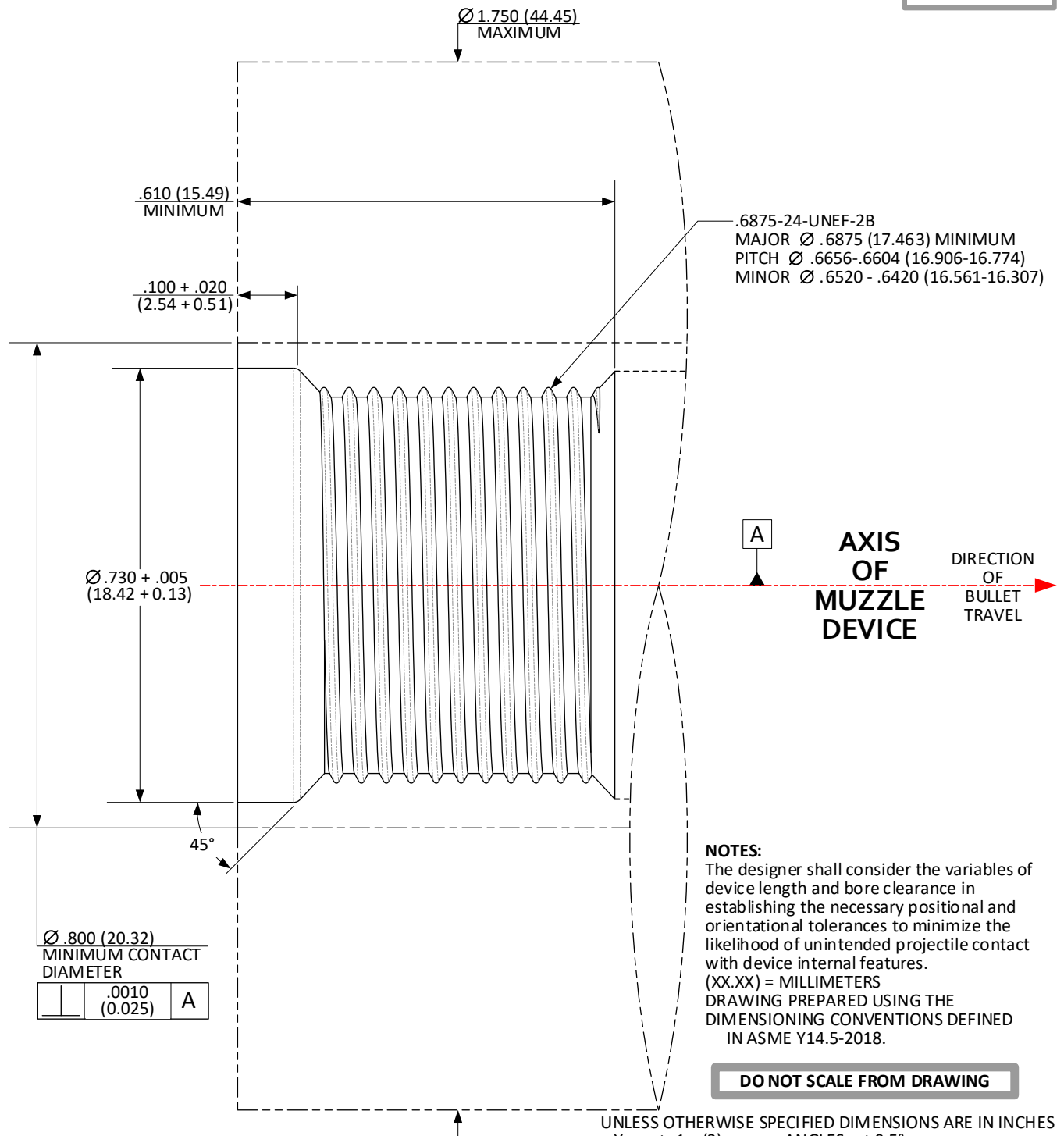
**DO NOT SCALE FROM DRAWING**

**NOTES:**  
 (XX.XX) = MILLIMETERS  
 DRAWING PREPARED USING THE DIMENSIONING  
 CONVENTIONS DEFINED IN ASME Y14.5-2018.

UNLESS OTHERWISE SPECIFIED DIMENSIONS ARE IN INCHES  
 .X ±.1 (3) ANGLES ±0.5°  
 .XX ±.01 (0.3) FILLET RADII .005-.010 (0.13-0.25)  
 .XXX ±.005 (0.13) BREAK EDGE .005-.010 (0.13-0.25)  
 .XXXX ±.0005 (0.013) SURFACE FINISH  $\sqrt{\text{XX}}$  ( $\sqrt{\text{XX}}$ )

**CFR: .6875-24-UNEF-2B; >.305 (7.75) / ≤.450 (11.43) BORE –  
 SOCKET THREADS; SHOULDER INDEXING**

SHEET 4 OF 5



UNLESS OTHERWISE SPECIFIED DIMENSIONS ARE IN INCHES  
 .X ±.1 (3) ANGLES ±0.5°  
 .XX ±.01 (0.3) FILLET RADII .005-.010 (0.13-0.25)  
 .XXX ±.005 (0.13) BREAK EDGE .005-.010 (0.13-0.25)  
 .XXXX ±.0005 (0.013) SURFACE FINISH  $\sqrt{32}$  ( $\sqrt{3.175}$ )

CHARACTERISTICS

SUPPRESSORS

SPORTING ARMS & AMMUNITION MANUFACTURERS' INSTITUTE

THREAD & SOCKET DRAWINGS: CFR: .6875-24-UNEF-2A /

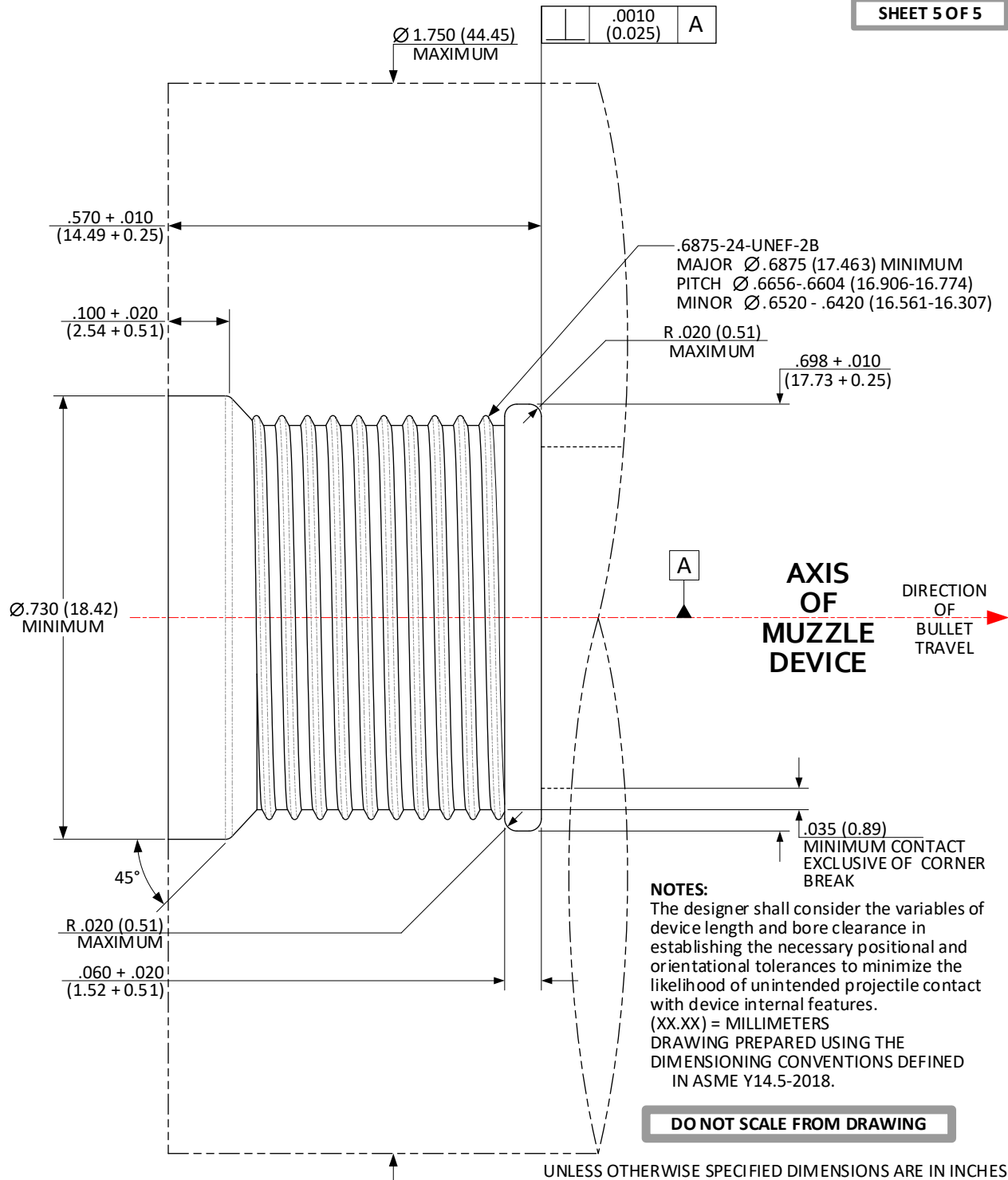
.6875-24-UNEF-2B; >.305 / ≤.450 BORE DIAMETER

ISSUED 06/07/2022

Revised 06/07/2023

**CFR: .6875-24-UNEF-2B; >.305 (7.75) / ≤.450 (11.43) BORE –  
SOCKET THREADS; MUZZLE INDEXING**

SHEET 5 OF 5



**DO NOT SCALE FROM DRAWING**

UNLESS OTHERWISE SPECIFIED DIMENSIONS ARE IN INCHES

.X	±.1 (3)	ANGLES	±0.5°
.XX	±.01 (0.3)	FILLET RADII	.005-.010 (0.13-0.25)
.XXX	±.005 (0.13)	BREAK EDGE	.005-.010 (0.13-0.25)
.XXXX	±.0005 (0.013)	SURFACE FINISH	√ (√)